

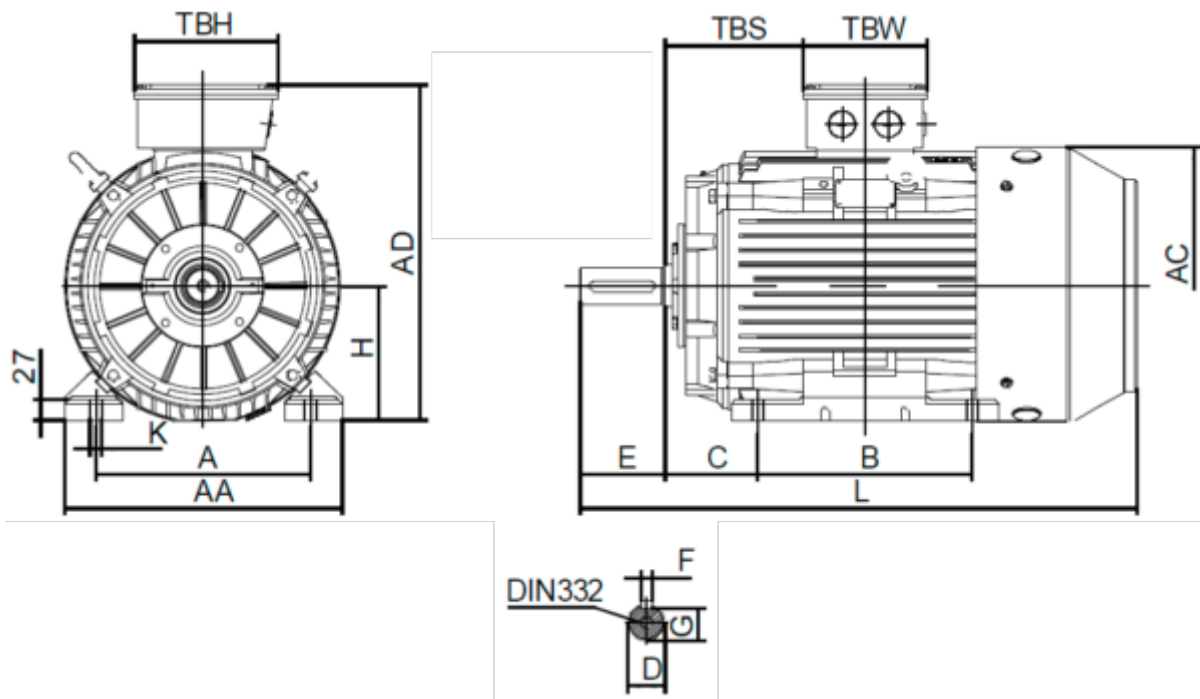
Data Sheet



Article number: 250300110212

Description: Kleedrive T3C 802-2 1.1KW 2800 rpm
3x230/400V 50HZ IP55 B3 Eff=82,7%

Measures



A = 125	F = 6	TBW = 114
AA = 154	G = 15.5	
AC = Ø158	H = 80	
AD = 214	HD = 134	
B = 100	K = Ø9	
C = 50	L = 290	
D = Ø19	TBH = 114	
E = 40	TBS = 43	